

Wind Baffle

WINDB-1

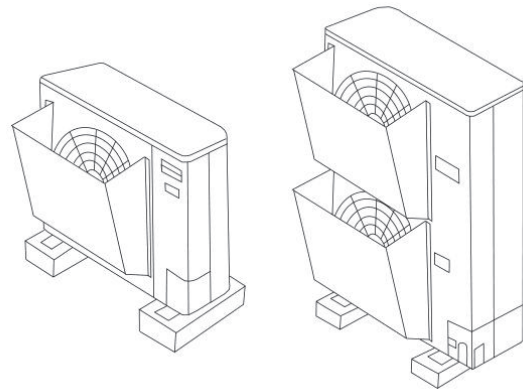
Job Name: _____
 Location: _____
 Engineer: _____
 Submitted to: _____
 Submitted by: _____
 Reference: _____

Approval: _____
 Date: _____
 Construction: _____
 Unit#: _____
 Drawing#: _____

Applications

Mini Split And Mini ECOi Systems

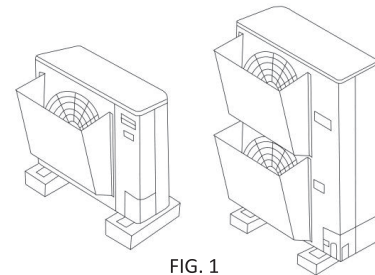
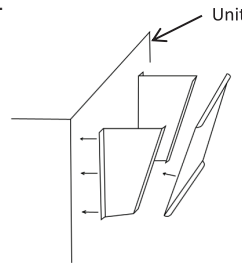
GENERAL: This wind shield is sized so it will fit onto all Panasonic outdoor mini splits and the mini-ECOi models. It is made to be placed on the fan discharge side of the unit. See Fig. 1 below. One wind shield will be used for 9,000 to 36,000 BTU outdoor units. 42,000 BTU and larger outdoor units require two shields.



INSTALLATION PROCEDURES:

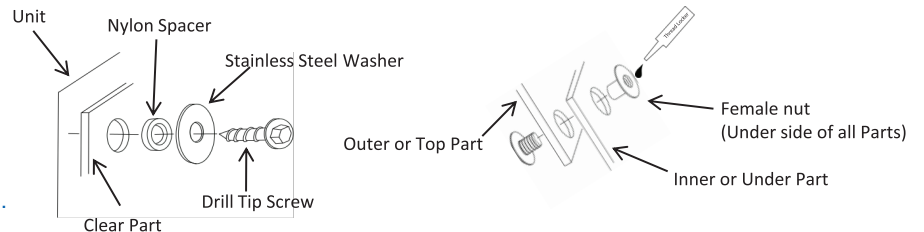
1. Remove all the protective film on the clear parts.
2. The pre-drilled holes on baffle will match up with pilot holes on the 26, 30, 36 and 42,000 BTU mini splits, and also the ECOi models.
3. For the 9,000 -24,000 BTU mini splits and the Flexi Multi models some of the pre-drilled holes will not be able to be used.
4. Pre drill 5/16 inch holes into the plastic wind shield flange where necessary and ream them out slightly, with drill, to ensure nylon spacer fits without forcing.
5. Shift the wind shield left/right and/or up/down as needed.

BEFORE DRILLING OR SCREWING INTO THE UNIT, MAKE SURE THERE WILL BE NO CONTACT WITH REFRIGERANT TUBING OR ELECTRICAL WIRES. CHECK FOR CLEARANCE.



Note: Pre-assemble all parts and turn or rotate the assembled parts upside down and then add 1 drop of thread locker to the female nut. Wipe away any excess thread locker before turning over.

CAUTION: Use only mild soap or detergent and water to clean baffle. **DO NOT USE ANY CHEMICALS.**



Data is Subject to Change.