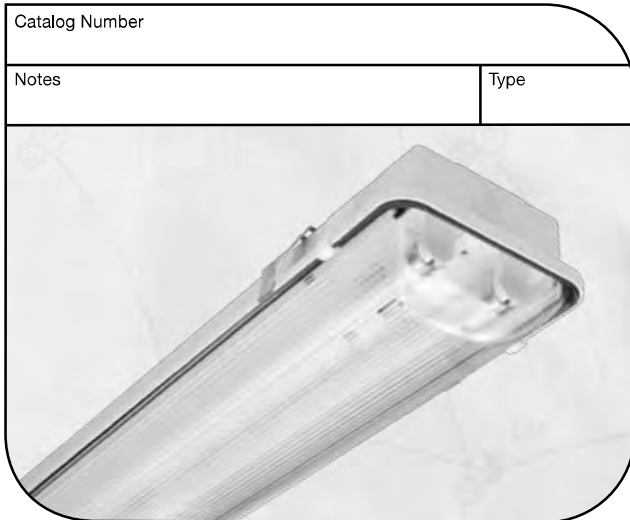




Wet Location Fluorescent T8



Catalog Number	
Notes	Type

Application

The Wet Location fixture is IP65 and IP67 rated, dust and moisture-resistant, making it ideal for harsh environments where humidity or moisture is present. Primary applications include:

- Food processing facilities
- Kitchens
- Public Areas
- Subways
- Schools
- Parking garages
- Gas Stations
- Government facilities
- Industrial facilities

Description

The full body assembly accommodates either T8 lamps. The gasketed enclosure is constructed of a fiberglass upper body and acrylic diffuser, with a continuous poured gasket. The diffuser and upper components are locked by retaining latches, which ensures a tight seal. Sockets include secure positioning rotating collars.

Reflector Optics

The superior beam spread optics are ideal for an open area general lighting. The Wet Location fixture comes standard with a white channel cover (WA), and is available using a 95% reflectance specular aluminum (SA) Miro®4 reflector, which has a 25 year warranty.

Electrical

All ballasts are class P rated and UL/CUL listed. Our ballasts are also thermally protected, sound rated and tightly secured by mounting bolts.

Wet Location Fluorescent T8 Series	
Maintenance No tools required for lamp and ballast access.	Warranty One year warranty against defect in manufacturing.
Installation Suspension by chain, cable or hook with appropriate accessories.	Listing UL/CUL Listed - Suitable for damp locations.

Catalog Ordering Matrix

Family	Reflector Distribution	Lamp Quantity	Lamp Type	Voltage	Ballast Factor	Specific Ballast	Options
WL4 - 4' Wet Location	WA - Wide Distribution	1 (4' Fixture Only)	28 - (T8 28W)	UNI - (120-277)	H - (T8 High)	Leave Blank - (TCP)	(See Below)
WL8 - 8' Wet Location	SA - Narrow Distribution	2 (4' or 8' Fixture)	32 - (T8 32W)	347	N - (T8 Normal)	GE - (GE)	
		3 (4' Fixture Only)		480	L - (T8 Low)	ADV - (Advance)	
		4 (8' Fixture Only)			HPRS - (T8 H Program Rapid Start)	ULT - (Universal)	
		6 (8' Fixture Only)				SYL - (Sylvania)	Must provide ballast part number on order for specific ballast

OPTIONS

Power Cords 2P - 120V, 15A, 8' Power cord w/ straight blade plug 3P - 120V, 15A, 8' Power cord w/ twist lock plug 4T - 120V, 20A, 10' Power cord w/ twist lock plug 11P - 208V, 15A, 8' Power cord w/ straight blade plug 9T - 208V, 20A, 8' Power cord w/ twist lock plug 8P - 277V, 20A, 8' Power cord w/ straight blade plug 10P - 277V, 20A, 15' Power cord w/ straight blade plug 10T - 277V, 15A, 10' Power cord w/ twist lock plug 10T2 - 277V, 20A, 10' Power cord w/ twist lock plug 6C - 120V-300V rated 6' Power cord only, No plug 10C - 120V-300V rated 10' Power cord only, No plug 10C6 - 120V-600V rated 10' Power cord only, No plug 20C - 120V-300V rated 20' Power cord only, No plug 6W - 600V rated 6' flexible metal conduit fixture whip 6C4 - 120V-300V 6' Power cord only, 4 wire, No plug 20C4 - 120V-300V 20' Power cord only, 4 wire, No plug 8T - 480V, 20A, 8' Power cord w/ L8-20 twist lock plug	Occupancy Sensors OSWL3 - Occupancy sensor w/ bracket for Wet Location, Low Bay OSWL4 - Occupancy sensor w/ bracket for Wet Location, High Bay Use a program rapid start ballast with occupancy sensor. EcoVations is not responsible for lamps failing prematurely due to an occupancy sensor being used with an instant start ballast.	Emergency Ballasts 20B1 - TCP 450 LMS 90 min (T8) 20B6 - TCP 700 LMS 90 min (T8) 20B5 - TCP 1400 LMS 90 min (T8) B1 - 400 LMS 90 min (T8) B7 - 550 LMS 120 min (T8) B9 - 550 LMS 90 min (T8) B6 - 650 LMS 90 min (T8) B5 - 1350 LMS 90 min (T8)	Lamps Installed in Job Pack 730 - T8 Lamps 735 - T8 Lamps 741 - T8 Lamps 830 - T8 Lamps 835 - T8 Lamps 841 - T8 Lamps 850 - T8 Lamps 865 - T8 Lamps 830HL - T8 Lamps 835HL - T8 Lamps 841HL - T8 Lamps 850HL - T8 Lamps 865HL - T8 Lamps
--	--	--	--

Emergency Ballast Notes:
 Orders with an emergency ballast must include what voltage is to be used (i.e. 120V). See Emergency Ballast Spec Sheets for details.

Mounting
 Supplied with a stainless steel mounting bracket.

Special Mounting
 EZHANGER - 15" adjustable aircraft cable hanging kit
 12PendantKit - Mounting kit for 1/2" pendants
 34PendantKit - Mounting kit for 3/4" pendants
 LHKIT - Single Point Hook Mounting Kit complete

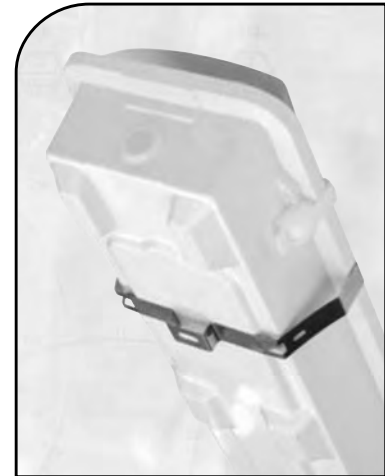
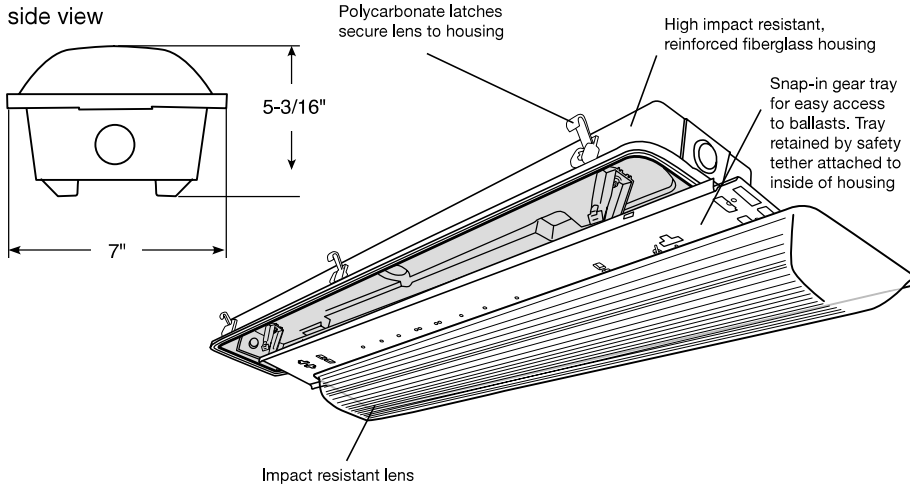
† If a desired lamp and/or ballast is needed in an EcoVations linear fluorescent fixture, please provide a spec sheet when consulting with your local sales rep. The sales rep will provide a price to use the desired lamp and/or ballast.

EcoVations will install supplied modular wire cords



Wet Location Fluorescent T8

Dimensions & Construction



Photometric Report

48" Wet Location Fixture, 3 - 32W

EcoVations Gasketed Luminaire with 3 - 32w lamps, lumen rating 2950 LMS.

Photometric Report

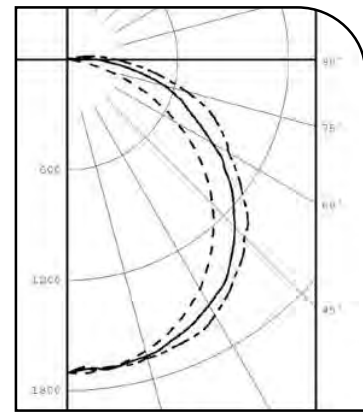
Efficiency (total)	0.58
Spacing Criterion (0-Deg)	1.3
Spacing Criterion (90-Deg)	1.4

Average Luminance (Candelas / Square Meter)

Angle	0	45.0	90
45	7417	8631	9134
55	6856	8591	8465
65	5746	7475	7918
75	3853	6704	7003
85	1524	4602	5371

Zonal Lumen Summary

Zone	Lumens	% Lamp	% Fixture
0-30	1367	13.4	23.2
0-40	2280	22.4	38.7
0-60	4184	41.1	71.0
0-90	5741	56.4	97.4
90-180	153	1.5	2.6
0-180	5894	57.9	100



Quadrilaterally Symmetric 0 Degree (dash line) 90 Degree

Coefficient of Utilization Table Effective Floor Cavity Reflectance = 20%

Pcc... Pw... RCR	80				70				50				30				10					
	70	50	30	10	70	50	30	10	70	50	30	10	70	50	30	10	70	50	30	10	0	0
0	69	69	69	69	67	67	67	67	63	63	63	63	60	60	60	60	58	58	58	58	56	56
1	62	59	56	53	60	57	54	52	54	52	50	50	52	50	48	48	49	48	47	47	45	45
2	56	50	46	42	54	49	45	42	47	43	41	41	45	42	39	39	43	40	38	38	37	37
3	50	44	39	35	49	43	38	34	41	37	34	34	39	36	33	33	37	34	32	32	31	31
4	46	39	33	29	45	38	33	29	36	32	28	28	35	31	28	28	33	30	27	27	26	26
5	42	34	29	25	41	34	29	25	32	28	24	24	31	27	24	24	30	26	23	23	22	22
6	39	31	25	22	38	30	25	21	29	24	21	21	28	24	21	21	27	23	20	20	19	19
7	36	28	23	19	35	27	22	19	26	22	19	19	25	21	18	18	24	21	18	18	17	17
8	34	25	20	17	32	25	20	17	24	20	17	17	23	19	16	16	22	19	16	16	15	15
9	31	23	18	15	30	23	18	15	22	18	15	15	21	17	15	15	21	17	15	15	13	13
10	29	21	17	14	28	21	17	14	20	16	13	13	20	16	13	13	19	16	13	13	12	12

Photometric Data by Independent Testing Lab ITL Boulder.