

ChargePoint® 6000 Series

Specifications and ordering information



Specifications

Electrical input

CP6000 supports flexible power settings up to 22 kW for single- and three-phase service.

Power Select allows stations to be installed and configured for power lower than the maximum rating.

Circuit Share allows a dual-port station to share power from a single circuit across two ports, adjusting power depending on whether one or both ports are charging. Standard wiring uses an independent circuit for each port. Circuit Share can be used in combination with Power Select.

Three-Phase Electrical Input (3Ø)

Electrical input	Single port			Dual port		
	Input current	Input power connection	Minimum service panel breaker	Input current	Input power connection	Minimum service panel breaker
Standard 63A 3Ø Circuit Shared*	n/a	n/a	n/a	3Ø 63A	One 3Ø 63A branch circuit	63A 4 pole
Standard 32A 3Ø	3Ø 32A	One 3Ø 32A branch current	32A 4 pole	3Ø 32A x 2	Two independent 3Ø 32A branch circuits	32A 4 pole x 2
Standard 32A 3Ø Circuit Shared*	n/a	n/a	n/a	3Ø 32A	One 3Ø 32A branch circuit	32A 4 pole
Power Select 25A 3Ø	3Ø 25A	One 3Ø 25A branch current	25A 4 pole	3Ø 25A x 2	Two independent 3Ø 25A branch circuits	25A 4 pole x 2
Power Select 25A 3Ø Circuit Shared*	n/a	n/a	n/a	3Ø 25A	One 3Ø 25A branch circuit	25A 4 pole
Power Select 20A 3Ø	3Ø 20A	One 3Ø 20A branch current	20A 4 pole	3Ø 20A x 2	Two independent 3Ø 20A branch circuits	20A 4 pole x 2
Power Select 20A 3Ø Circuit Shared*	n/a	n/a	n/a	3Ø 20A	One 3Ø 20A branch circuit	20A 4 pole

ChargePoint 6000 Series datasheet

Electrical input	Single port			Dual port		
	Input current	Input power connection	Minimum service panel breaker	Input current	Input power connection	Minimum service panel breaker
Power Select 16A 3Ø	3Ø 16A	One 3Ø 16A branch current	16A 4 pole	3Ø 16A x 2	Two independent 3Ø 16A branch circuits	16A 4 pole x 2
Power Select 16A 3Ø Circuit Shared*	n/a	n/a	n/a	3Ø 16A	One 3Ø 16A branch circuit	16A 4 pole
Power Select 12A 3Ø	3Ø 12A	One 3Ø 12A branch current	12A 4 pole	3Ø 12A x 2	Two independent 3Ø 12A branch circuits	12A 4 pole x 2
Service panel RCD	Install guide provides guidance on use of panel RCD and MCB					
Wiring – Standard 3Ø	5-wire (L1, L2, L3, N, Earth)			2 x 5-wire (L1, L2, L3, N, PE)		
Wiring – 3Ø Circuit Shared*	n/a			1 x 5-wire (L1, L2, L3, N, PE)		
Input phase balancing*	To reduce grid asynchronicity when charging single-phase cars, we support Phase Balancing for dual port stations at installation					

*Circuit Sharing and/or Phase Balancing require the installation of the included Power Management Kit

Single Phase Electrical Input (1Ø)

Electrical input	Single port			Dual port		
	Input current	Input power connection	Minimum service panel breaker	Input current	Input power connection	Minimum service panel breaker
Standard 63A 1Ø Circuit Shared*	n/a	n/a	n/a	1Ø 63A	One 1Ø 63A branch circuit	63A dual pole
Standard 32A 1Ø	1Ø 32A	One 1Ø 32A branch current	32A dual pole	1Ø 32A x 2	Two independent 1Ø 32A branch circuits	32A dual pole x 2
Standard 32A 1Ø Circuit Shared*	n/a	n/a	n/a	1Ø 32A	One 1Ø 32A branch circuit	32A dual pole
Power Select 25A 1Ø	1Ø 25A	One 1Ø 25A branch current	25A dual pole	1Ø 25A x 2	Two independent 1Ø 25A branch circuits	25A dual pole x 2
Power Select 25A 1Ø Circuit Shared*	n/a	n/a	n/a	1Ø 25A	One 1Ø 25A branch circuit	25A dual pole
Power Select 20A 1Ø	1Ø 20A	One 1Ø 20A branch current	20A dual pole	1Ø 20A x 2	Two independent 1Ø 20A branch circuits	20A dual pole x 2
Power Select 20A 1Ø Circuit Shared*	n/a	n/a	n/a	1Ø 20A	One 1Ø 20A branch circuit	20A dual pole
Power Select 16A 1Ø	1Ø 16A	One 1Ø 16A branch current	16A dual pole	1Ø 16A x 2	Two independent 1Ø 16A branch circuits	16A dual pole x 2
Power Select 16A 1Ø Circuit Shared*	n/a	n/a	n/a	1Ø 16A	One 1Ø 16A branch circuit	16A dual pole
Power Select 12A 1Ø	1Ø 12A	One 1Ø 12A branch current	12A dual pole	1Ø 12A x 2	Two independent 1Ø 12A branch circuits	12A dual pole x 2

ChargePoint 6000 Series datasheet

Electrical input	Single port			Dual port		
	Input current	Input power connection	Minimum service panel breaker	Input current	Input power connection	Minimum service panel breaker
Service panel RCD	Install guide provides guidance on use of panel RCD and MCB					
Wiring – Standard 1Ø	1 x 3-wire (L1, N, PE)			2 x 3-wire (L1, N, PE)		
Wiring – 1Ø Circuit Shared*	n/a			1 x 3-wire (L1, N, PE)		
Input phase balancing*	To reduce grid asynchronicity when charging single-phase cars, we support Phase Balancing for dual port stations at installation					

*Circuit Sharing and/or Phase Balancing require the installation of the included Power Management Kit

Three-Phase Electrical output (3Ø)

Electrical output (Power ratings depend on installation configuration)	Single port	Dual port
Standard 63A 3Ø Circuit Shared*	n/a	21.5 kW (3Ø 400V AC @ 31A) x 2
Standard 32A 3Ø	22.2 kW (3Ø 400V AC @ 32A) x 1	22.2 kW (3Ø 400V AC @ 32A) x 2
Standard 32A 3Ø Circuit Shared*	n/a	22.2 kW (3Ø 400V AC @ 32A) x 1 Or 11.1 kW (3Ø 400V AC @ 16A) x 2
Power Select 25A 3Ø	17.3 kW (3Ø 400V AC @ 25A) x 1	17.3 kW (3Ø 400V AC @ 25A) x 2
Power Select 25A 3Ø Circuit Shared*	n/a	17.3 kW (3Ø 400V AC @ 25A) x 1 Or 8.3 kW (3Ø 400V AC @ 12A) x 2
Power Select 20A 3Ø	13.9 kW (3Ø 400V AC @ 20A) x 1	13.9 kW (3Ø 400V AC @ 20A) x 2
Power Select 20A 3Ø Circuit Shared*	n/a	13.9 kW (3Ø 400V AC @ 20A) x 1 Or 6.9 kW (3Ø 400V AC @ 10A) x 2
Power Select 16A 3Ø	11.1 kW (3Ø 400V AC @ 16A) x 1	11.1 kW (3Ø 400V AC @ 16A) x 2

ChargePoint 6000 Series datasheet

Electrical output (Power ratings depend on installation configuration)	Single port	Dual port
Power Select 16A 3Ø Circuit Shared*	n/a	11.1 kW (3Ø 400V AC @ 16A) x 1 Or 5.5 kW (3Ø 400V AC @ 8A) x 1
Power Select 12A 3Ø	8.3 kW (3Ø 400V AC @ 12A) x 1	8.3 kW (3Ø 400V AC @ 12A) x 2

*Circuit Sharing and/or Phase Balancing require the installation of the included Power Management Kit

Single-Phase Electrical output (1Ø)

Electrical output (Power ratings depend on installation configuration)	Single port	Dual port
Standard 63A 1Ø Circuit Shared*	n/a	7.1 kW (1Ø 230V AC @ 31A) x 2
Standard 32A 1Ø	7.4 kW (1Ø 230V AC @ 32A) x 1	7.4 kW (1Ø 230V AC @ 32A) x 2
Standard 32A 1Ø Circuit Shared*	n/a	7.4 kW (1Ø 230V AC @ 32A) x 1 Or 3.7 kW (1Ø 230V AC @ 16A) x 2
Power Select 25A 1Ø	5.8 kW (1Ø 230V AC @ 25A) x 1	5.8 kW (1Ø 230V AC @ 25A) x 2
Power Select 25A 1Ø Circuit Shared*	n/a	5.8 kW (1Ø 230V AC @ 25A) x 1 Or 2.8 kW (1Ø 230V AC @ 12A) x 2
Power Select 20A 1Ø	4.6 kW (1Ø 230V AC @ 20A) x 1	4.6 kW (1Ø 230V AC @ 20A) x 2
Power Select 20A 1Ø Circuit Shared*	n/a	4.6 kW (1Ø 230V AC @ 20A) x 1 Or 2.3 kW (1Ø 230V AC @ 10A) x 2
Power Select 16A 1Ø	3.7 kW (1Ø 230V AC @ 16A) x 1	3.7 kW (1Ø 230V AC @ 16A) x 2
Power Select 16A 1Ø Circuit Shared*	n/a	3.7 kW (1Ø 230V AC @ 16A) x 1 Or 1.8 kW (1Ø 230V AC @ 8A) x 1
Power Select 12A 1Ø	2.8 kW (1Ø 230V AC @ 12A) x 1	2.8 kW (1Ø 230V AC @ 12A) x 2

*Circuit Sharing and/or Phase Balancing require the installation of the included Power Management Kit

Station specifications and functional interfaces

Connector types	IEC 62196-2 Type 2 socket, IEC 62196-2 Type 2 integrated cable (Shuttered socket option available)
Number of ports	Single, dual
Cable length	5.5 m, 7 m
Cable management	Included with integrated cable models
Display/user interface	Full colour 203 mm (8 in) interactive display with full motion video, UV protection, gesture touch controls, and multi-language support Option without display for private commercial fleet charging
Authentication and payment	RFID: ISO 15693, ISO 14443, NEMA EVSE 1.2-2015 (UR) Tap to Charge (NFC on Apple & Android for supported countries) Remote: mobile and in vehicle (if supported by vehicle) Contactless credit card (for supported countries)
ISO 15118	Supported by hardware
Locking holster	Yes
MID compliant meter	Yes

Power Management features

Power sharing	Yes
Circuit sharing	Yes
Demand response via OCPP	Yes
Power measurement accuracy	+/- 2%
Power report/store interval	15-minute, aligned to hour

Connectivity features

Wide area network	LTE Category 4; GSM as backup
Local area network	Wi-Fi 2.4 GHz and 5 GHz (802.11 b/g/n/ac)
Network protocol	OCPP 2.0.1
Ethernet	Hardware is capable with accessory

Safety and operational ratings

Residual current device	Integrated; 30 mA, Type AC
DC fault current detection	Electronic, $I_{\Delta n DC} \geq 6 \text{ mA}$
Plug-out detection	Yes
Safety compliance	IEC 61851-1 (ed. 3.0, 2017), LVD 2014/35/EU
Station surge protection	Up to 4 kV surge protection (ref: IEC 61000-4-5)
Station enclosure rating	IP56, IK10
EMC compliance	EMCD 2014/30/EU, RED 2014/53/EU IEC 61851-21-2: 2018
Storage temperature	-40° C to 60° C
Operating temperature	-25° C to 50° C; output power derating may apply

ChargePoint 6000 Series datasheet

Operating humidity	Up to 85% @ 50° C non-condensing
Non-operating humidity	Up to 95% @ 50° C non-condensing

Ordering Information

Stations

The order codes below represent specific product configurations. Other product options are available upon request. Please contact ChargePoint Sales for additional configurations and order codes.

Description		Order Code
Model	Pedestal mount, dual port, Type 2 integrated 5.5 m cable, 32A 1- and 3-phase	CP6321B-32A-L5.5
	Pedestal mount, dual port, Type 2 socket, 1- and 3-phase 32A	CP6121B-32A
	Pedestal mount, dual port, Type 2 shuttered socket, 1- and 3-phase 32A	CP6421B-32A
	Wall mount, dual port, Type 2 integrated 5.5 m cable, 1- and 3-phase 32A	CP6323B-32A-L5.5
	Wall mount, dual port, Type 2 socket, 1- and 3-phase 32A	CP6123B-32A
	Wall mount, dual port, Type 2 shuttered socket, 1- and 3- phase 32A	CP6423B-32A
Misc.	CP6000 Concrete Mounting Kit	CP6000-CCM

Software & services

Description	Order Code
ChargePoint Commercial Cloud Plan	CPCLD-COMMERCIAL- <i>n</i> ¹
ChargePoint Enterprise Cloud Plan	CPCLD-ENTERPRISE- <i>n</i> ¹
ChargePoint Assure®	CP6000-ASSURE- <i>n</i> ²
Station Activation and Configuration	CPSUPPORT-ACTIVE
ChargePoint Site Validation	CPSUPPORT-SITEVALID

¹Substitute *n* for desired years of service (1 to 5 years).

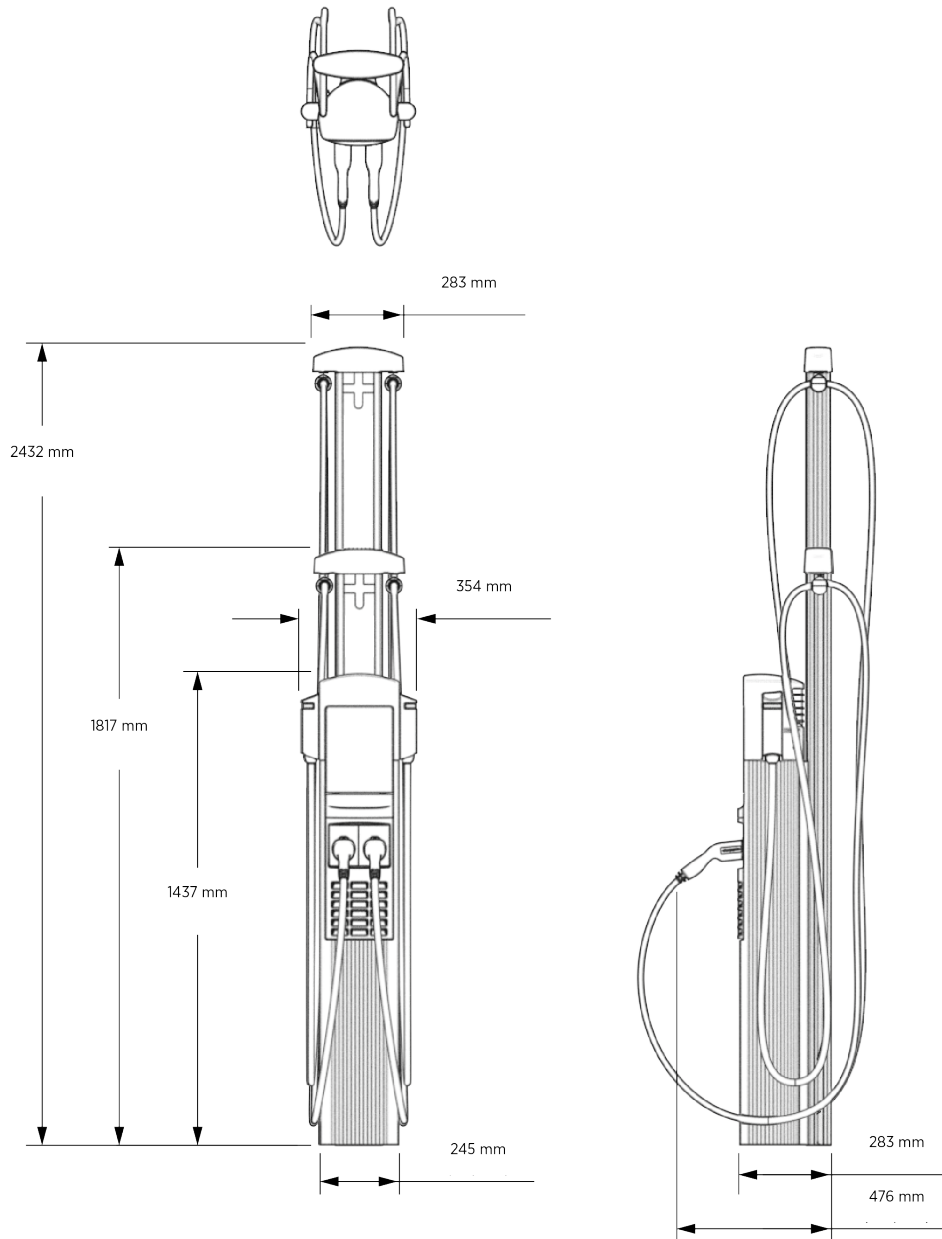
²Substitute *n* for the duration of coverage (1 to 5 years).

Order code examples

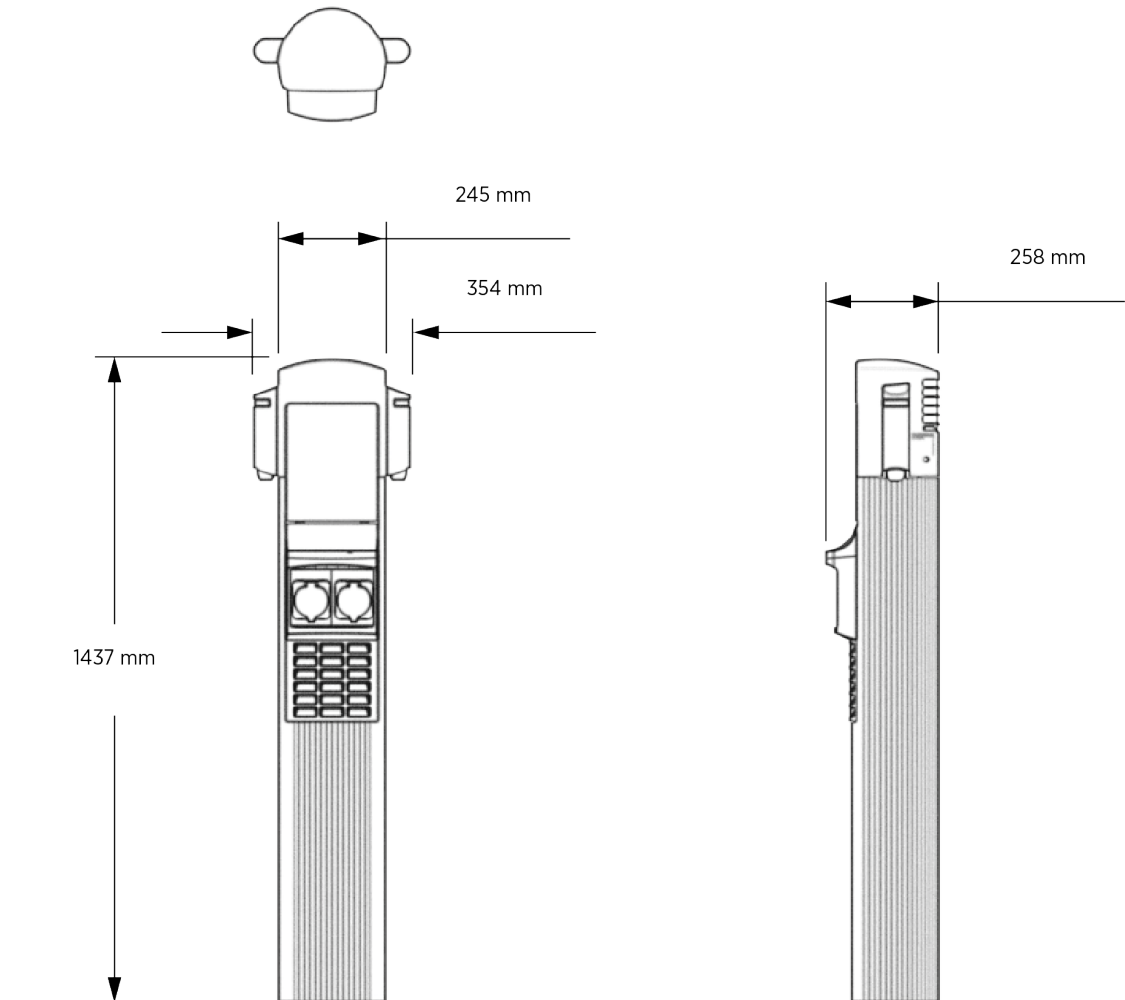
If ordering this...	...the order code is
Pedestal mount, dual port, 5.5 m Type 2 cable CP6000 station ChargePoint Commercial Cloud Plan, 3 Year Subscription ChargePoint Site Validation 3 years of Assure coverage	CP6321B-32A-L5.5 CPCLD-COMMERCIAL-3 CPSUPPORT-SITEVALID CP6000-ASSURE3
Wall mount, dual port, Type 2 socket CP6000 station ChargePoint Enterprise Cloud Plan, 5 Year Subscription ChargePoint Site Validation 5 years of Assure coverage Station Activation and Configuration by ChargePoint support	CP6123B-32A CPCLD-ENTERPRISE-5 CPSUPPORT-SITEVALID CP6000-ASSURE-5 CPSUPPORT-ACTIVE

Architectural drawings and dimensions

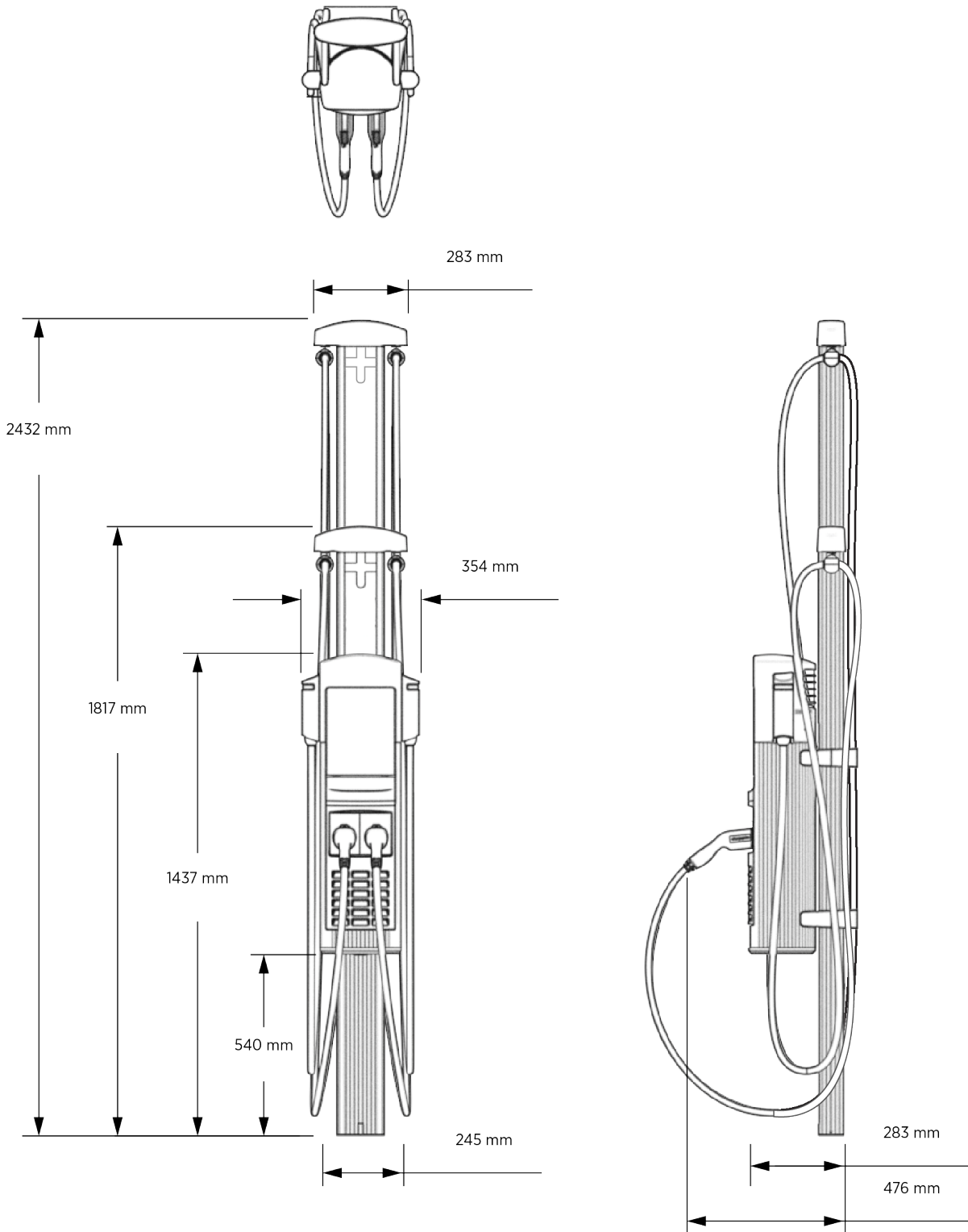
Pedestal mount, integrated cable



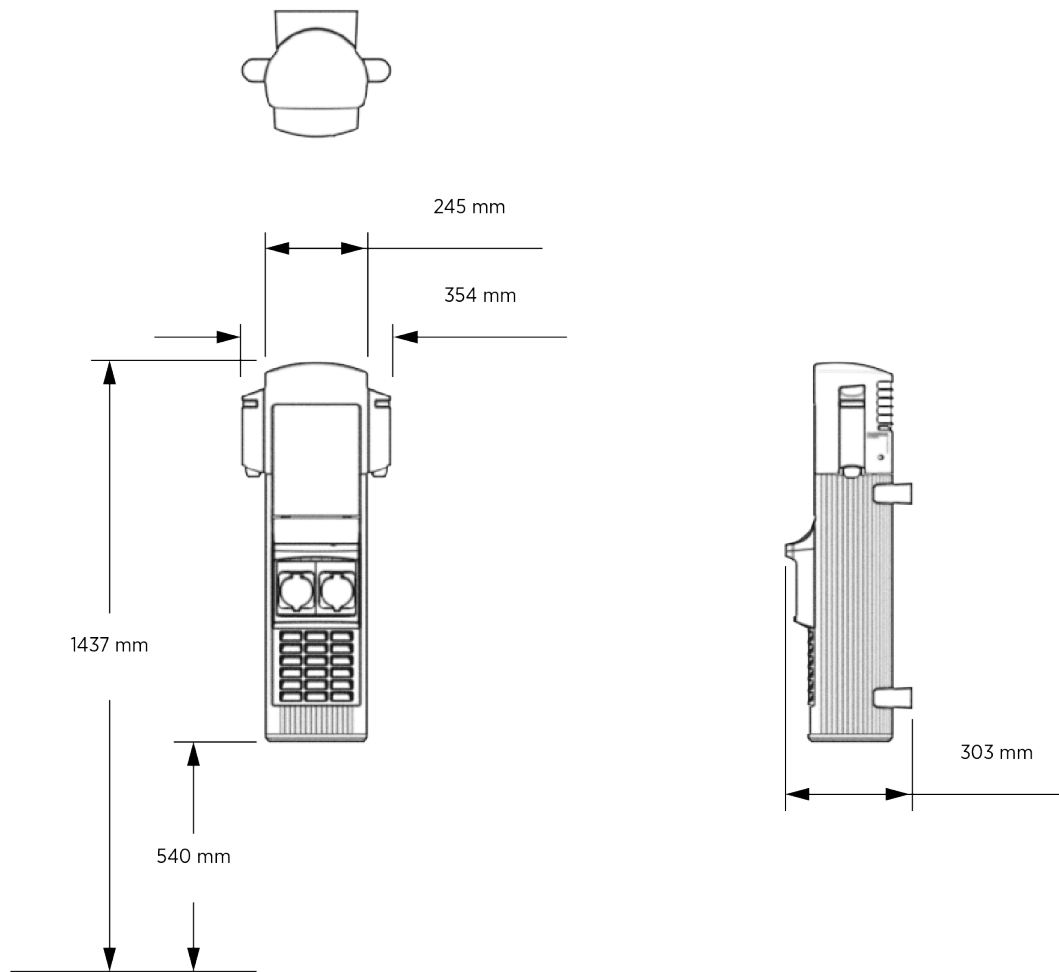
Pedestal mount, socket



Wall mount, integrated cable



Wall mount, socket





Contact Us
Visit [chargepoint.com](https://www.chargepoint.com)
Email sales.eu@chargepoint.com

ChargePoint, Inc. ("ChargePoint") reserves the right to alter product offerings and specifications at any time without notice. ChargePoint is not responsible, and disclaims any and all liability, for typographical or graphical errors, inaccuracies, or incompleteness that may appear in this document. This document does not expand or otherwise modify ChargePoint's terms and conditions of purchase, including but not limited to the warranty expressed therein.
Copyright © 2022 ChargePoint, Inc. All rights reserved. CHARGEPOINT is a U.S. registered trademark/service mark, and an EU registered logo mark of ChargePoint, Inc. ASSURE and CHARGEPOINT AS A SERVICE are U.S. registered trademarks of ChargePoint Inc. All other products or services mentioned are the trademarks, service marks, registered trademarks or registered service marks of their respective owners. October 2022.