

Mult System Outdoor Submittal Data

CU-2E18SBU-5

Multi System Outdoor Unit

Job Name: _____
 Location: _____
 Engineer: _____
 Submitted to: _____
 Submitted by: _____
 Reference: _____

Approval: _____
 Date: _____
 Construction: _____
 Unit#: _____
 Drawing#: _____

Rated Conditions	
Indoor	Outdoor
80°F DB / 67°F WB	95°F DB / 75°F WB
70°F DB / 60°F WB	47°F DB / 43°F WB
70°F DB / 60°F WB	17°F DB / 15°F WB

General Data	
Power (V/P/Hz)	208/230/1/60
Circuit Ampacity (A)	13.6
Fuse Size, Max.(A)	20
Compressor	DC Twin Rotary (Inverter Driven)
No. Used	1
Output Power (W)	1.30K

Outdoor Unit	
Fan Type	Propeller
Motor Type	DC Motor [8 poles]
Output Power (W)	60
Airflow CFM	1,447
Coil Type	Aluminum (Blue Coated)
Fin Type - Pipe Type	Corrugated Fin
Coil Type	Aluminum Fin & Copper Pipe
Fin Type - Pipe Type	Corrugated Fin
Rows - F.P.I.	2 - 19
Tube Size (in)	3/8"
Refrigerant	R410A
R410a Pre Charge oz	78.7 oz
Refrigerant Control	Electronic Expansion Valve
Refrigerant Tubing Connections	Flare
Line Length, Max (ft.)	164'
Line Height Difference, Max (ft.)	49.2'
Line Size (in. O.D. Discharge)	1/4" x 2
Line Size (in. O.D. Suction)	3/8" x 2
Pre-charge, tube length @ shipment	65.2'
Dimensions (HxWxD)	
Outdoor Unit (Uncrated) (in.)	31-5/16 x 34-15/32 x 12-5/8
Weight (lbs.)	
[Outdoor] Net	157 lbs

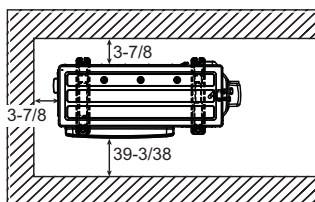


Performance Data @ AHRI Standard Conditions (208/230V)	
Cooling	
Total Capacity (BTU/H)	16,700 (7,200 - 20,000)
Sensible Capacity (BTU/H)	16,020
Latent Capacity (BTU/H)	1,980
SEER	19.0
Amps (A)	6.6 - 6.0
Max. Amps (A)	13.6
Power Inputs (KW)	1.33
Max. Inputs (W)	N/A
Outdoor Sound Rating (dB-A) High	48
Heating	
High Heat @ 47F	19,800
Low Heat @ 17F	14,500
Total Capacity (BTU/H)	20,200 (7,200 - 24,600)
HSPF	10
Amps (A)	8.5-7.8
Power Inputs (KW)	1.75
Outdoor Sound Rating (dB-A)	49

Operating Range	
Cooling	
Max	114.8F DB/78.8F WB
Min	14.0F DB/-/-WB
Heating	
Max	75.2F DB/64F WB
Min	5F DB/3.2F WB

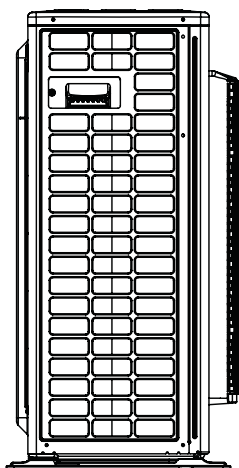
Outdoor Dimensions

Space necessary for installation



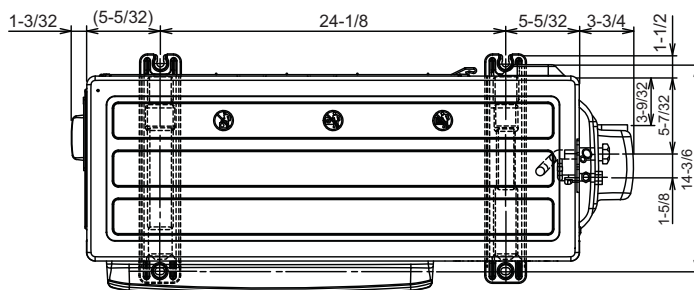
Anchor Bolt Pitch
14-13/64 x 24-1/8

<Side View>

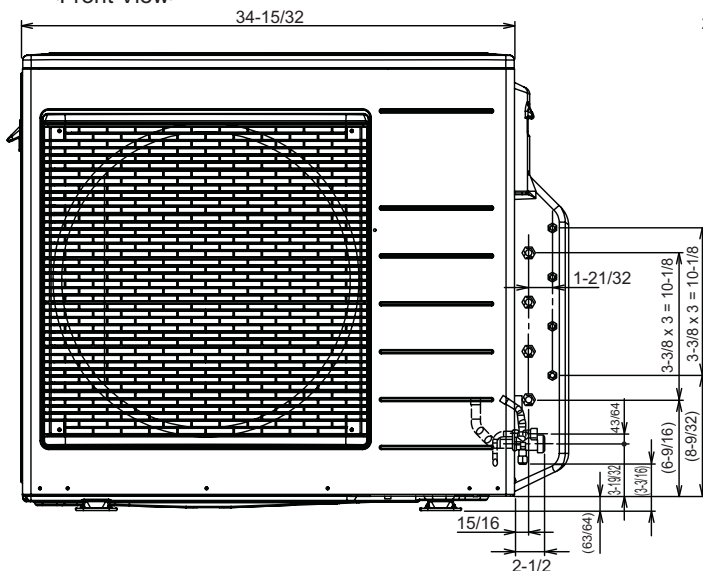


Unit: inch

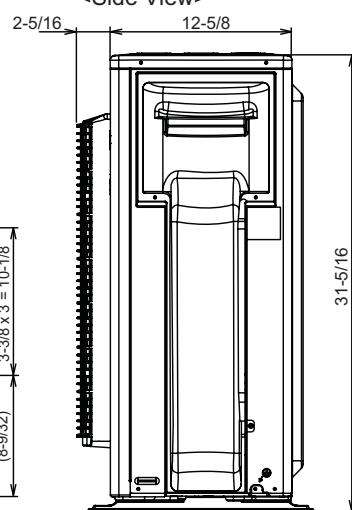
<Top View>



<Front View>



<Side View>



Panasonic

Panasonic North America
2 Riverfront Plaza
Newark, NJ 07102
us.panasonic.com/hvac

Panasonic Canada Inc.
5770 Ambler Drive
Mississauga, ON, L4W 2T3
na.panasonic.com/ca/hvac